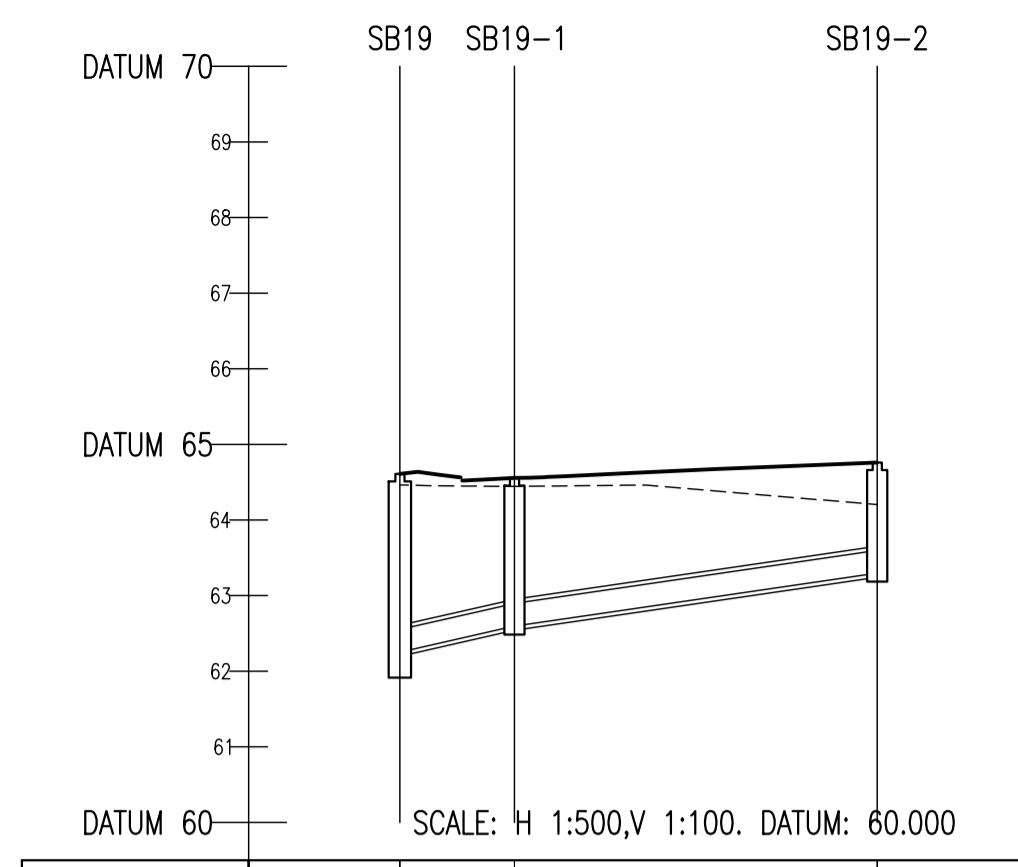
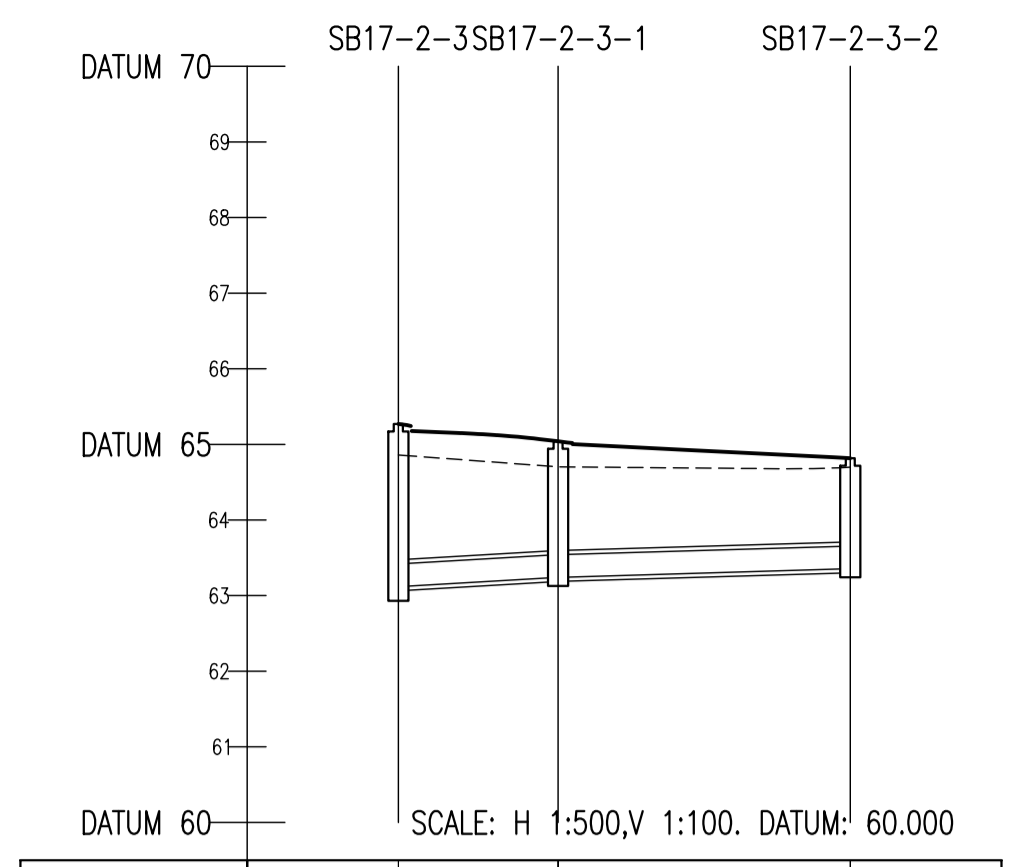


COVER LEVEL	65.613		65.170	65.050	65.150		65.208	65.116	65.031									
INVERT LEVEL	61.703	8.005	62.400	62.400	8.004	62.552	8.003	62.830	62.830	8.002	63.198	63.198	8.001	63.552	63.552	8.000	63.676	63.676
DEPTH (m)	4.097		2.643	2.643		2.460	2.262	2.262			1.972	1.972		1.527	1.527		1.318	1.318
DISTANCE (m)		44.90			20.11		9.79		28.08		26.94		21.03					
PIPE SLOPE		1:57			1:324		1:76		1:76		1:76		1:170					
PIPE SIZE		450mm			450mm		300mm		300mm		300mm		300mm					



COVER LEVEL	64.611	64.556	64.760				
INVERT LEVEL	62.252	7.001	62.596	62.596	7.000	63.298	63.298
DEPTH (m)	2.358		1.922	1.922		1.424	1.424
DISTANCE (m)		7.58			23.99		
PIPE SLOPE		1:22			1:34		
PIPE SIZE		300mm			300mm		



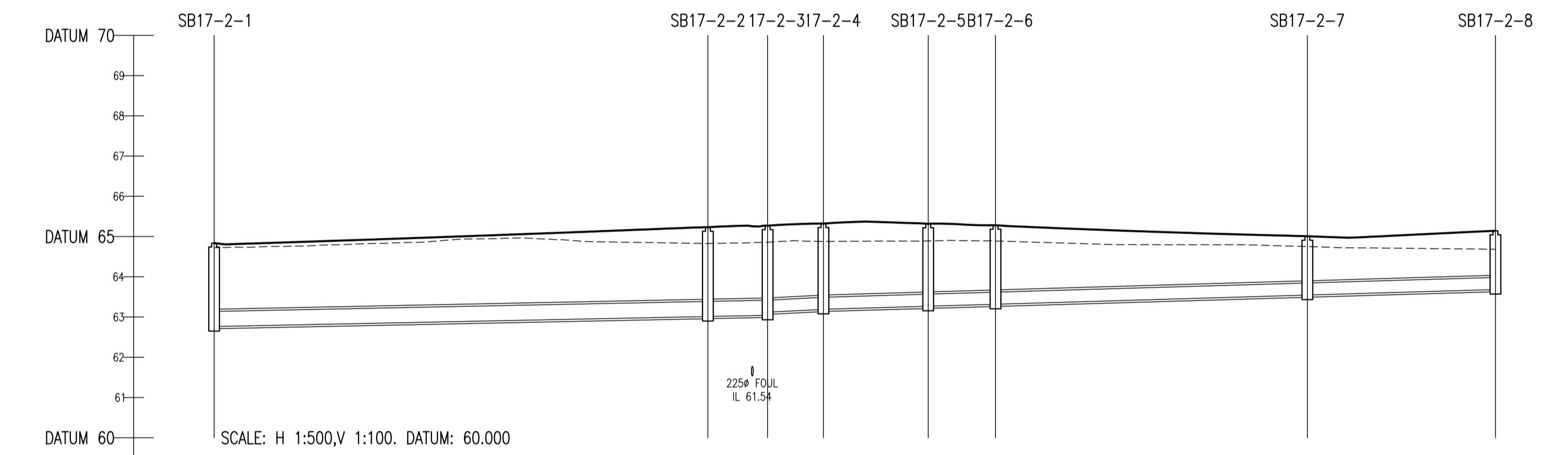
COVER LEVEL	65.271	65.042	64.818				
INVERT LEVEL	63.118	10.001	63.242	63.242	10.000	63.356	63.356
DEPTH (m)	2.190		1.763	1.763		1.425	1.425
DISTANCE (m)		10.57			19.32		
PIPE SLOPE		1:86			1:170		
PIPE SIZE		300mm			300mm		

© COPYRIGHT OF THIS DRAWING IS RESERVED BY DBFL CONSULTING ENGINEERS. NO PART SHALL BE REPRODUCED OR TRANSMITTED WITHOUT THEIR WRITTEN PERMISSION.

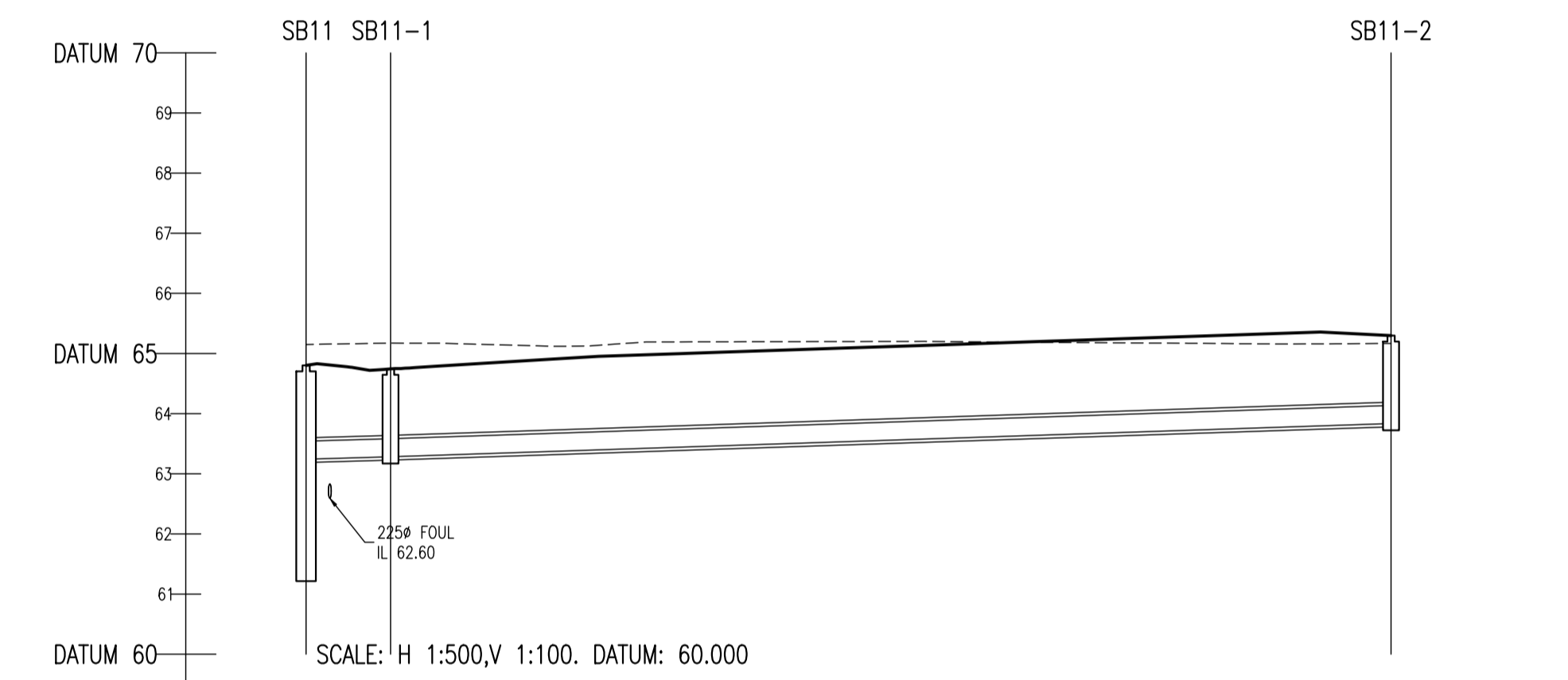
ON ORIGINAL

NOTES:

- ALL DRAWINGS TO BE CHECKED BY CONTRACTOR ON SITE AND ENGINEER INFORMED OF DISCREPANCIES BEFORE WORK COMMENCES
- ALL LEVELS ARE IN METRES AND ARE RELATED TO ORDNANCE DATUM
- CONTRACTOR SHALL SATISFY HIMSELF AS TO THE ACCURACY OF PAVEMENT LEVELS ON SITE PRIOR TO COMMENCEMENT OF WORKS ON SITE
- ALL WORKS TO BE CONSTRUCTED IN ACCORDANCE WITH THE NRA SPECIFICATION FOR ROAD WORKS UNLESS NOTED OTHERWISE
- THIS DRAWING IS FOR PLANNING PURPOSES ONLY
- MANHOLE COVER LEVELS ARE TO CONFORM WITH FINISHED ROAD AND PATH LEVELS
- WHERE COVER TO PIPE IS LESS THAN 1200mm (ROAD/PATH/VERGE) OR 900mm (OPEN SPACE) SURROUND PIPE IN MINIMUM 150mm CONCRETE



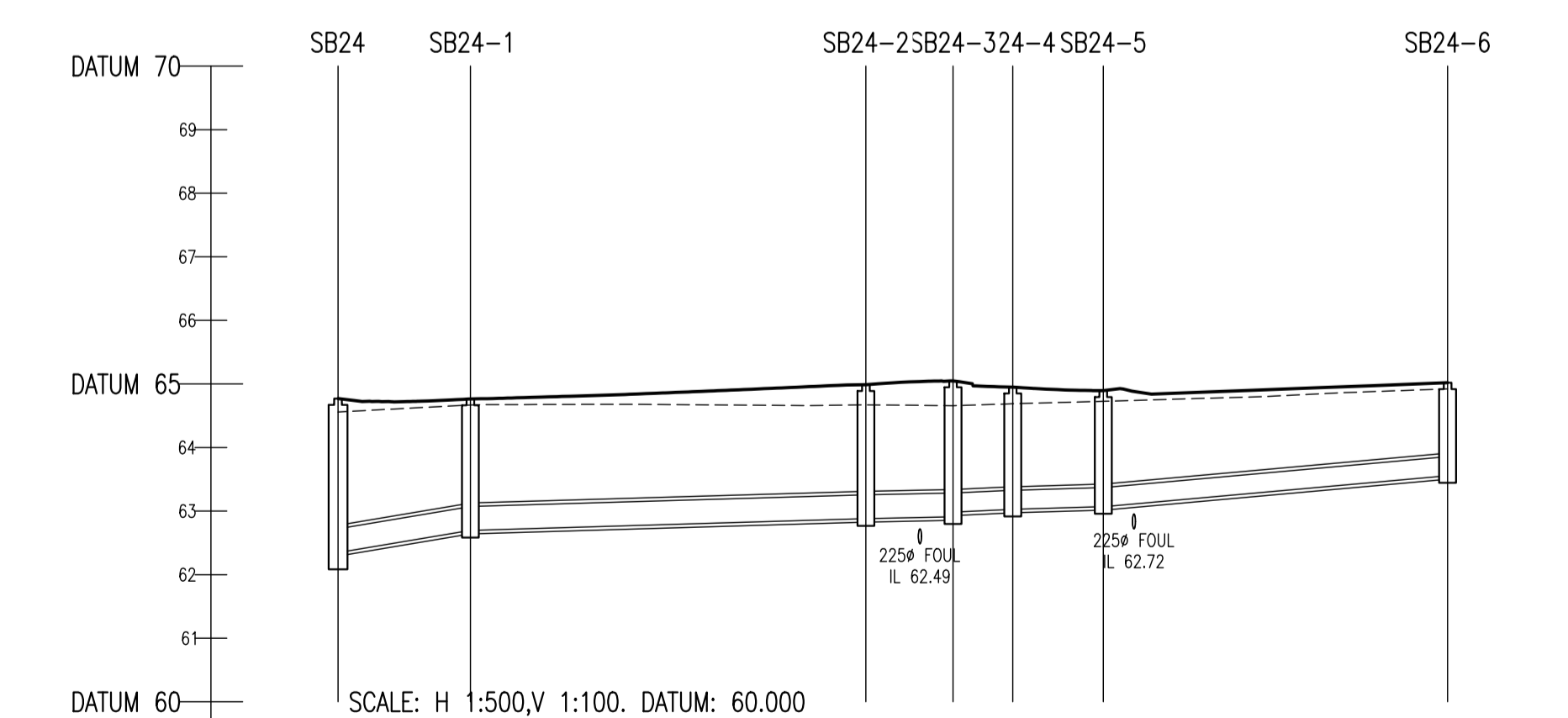
COVER LEVEL	64.839		65.232	65.271	65.324	65.318	65.282	65.039	65.145							
INVERT LEVEL	62.764	9.006	63.014	63.005	63.044	63.018	63.192	9.003	63.288	63.288	9.002	63.318	63.318	9.001	63.682	63.682
DEPTH (m)	2.038		2.181	2.190	2.190	2.095	2.012	1.927	1.926	1.926		1.425	1.425			
DISTANCE (m)		61.31		7.42	6.93	13.01	8.36				38.72		23.36			
PIPE SLOPE		1:245		1:247	1:95	1:169	1:171				1:170		1:170			
PIPE SIZE		375mm		375mm	300mm	300mm	300mm				300mm		300mm			



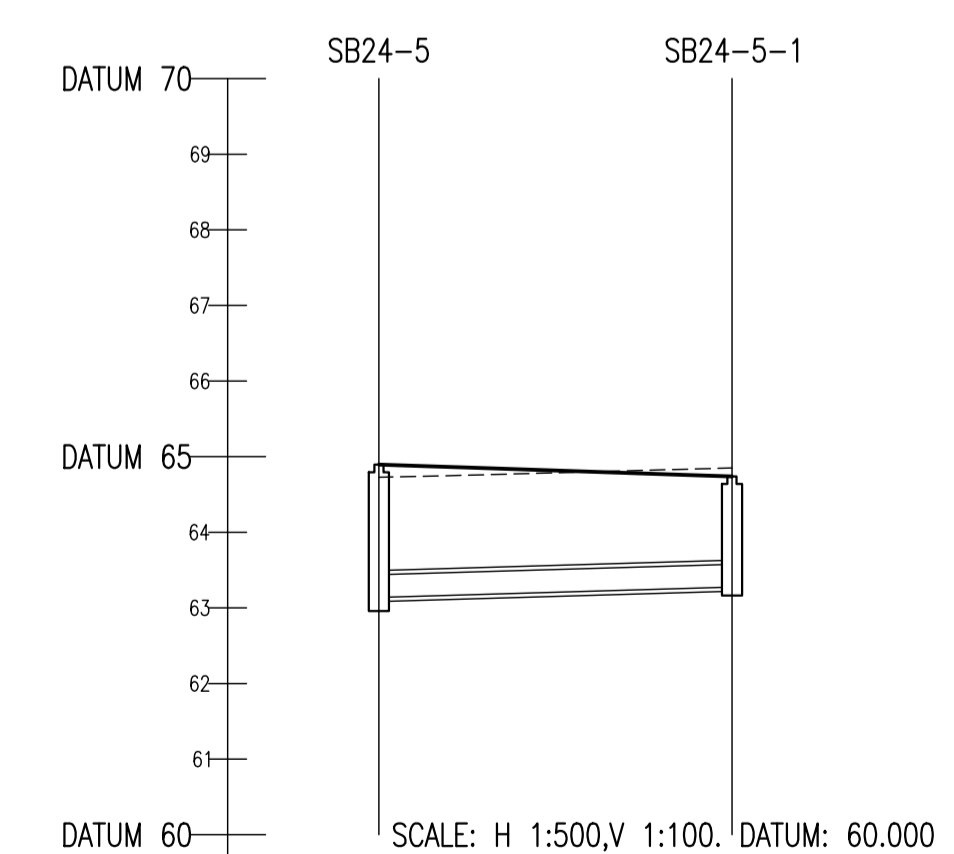
COVER LEVEL	64.804	64.746	65.299				
INVERT LEVEL	63.032	1.001	63.284	63.284	11.000	63.836	63.836
DEPTH (m)	1.438		1.425	1.425		1.425	1.425
DISTANCE (m)		7.02			83.18		
PIPE SLOPE		1:171			1:150		
PIPE SIZE		300mm			300mm		

KEY

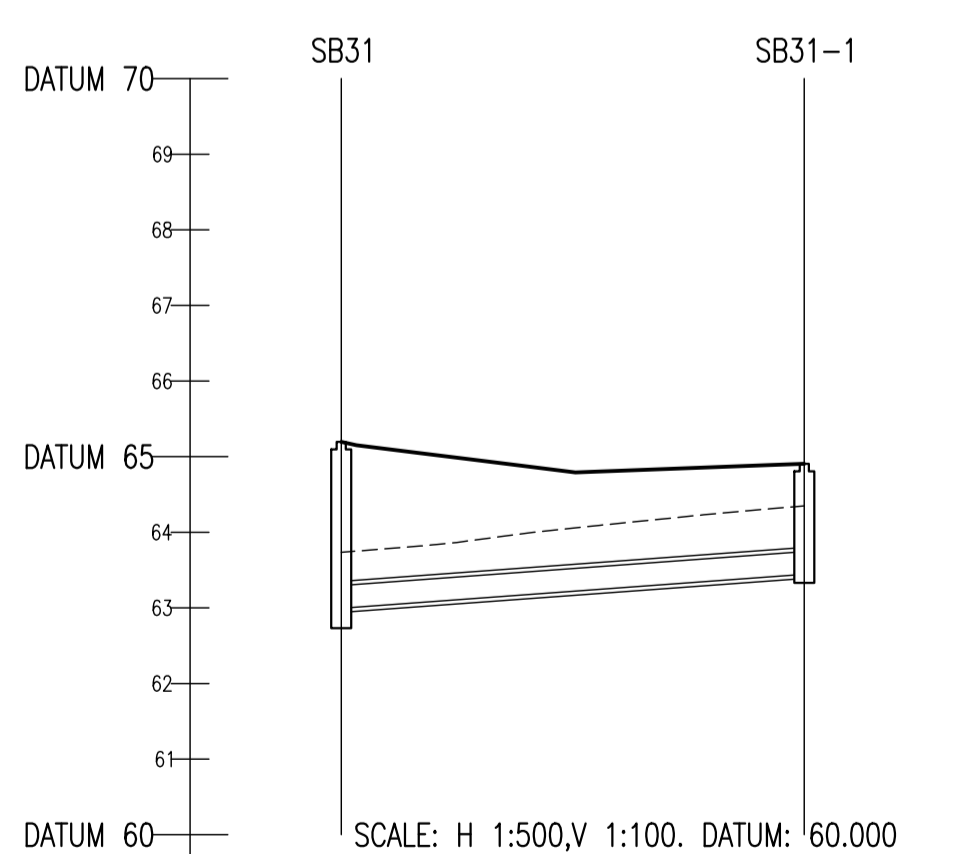
----- EXISTING GROUND PROFILE  
 \_\_\_\_\_ PROPOSED GROUND PROFILE



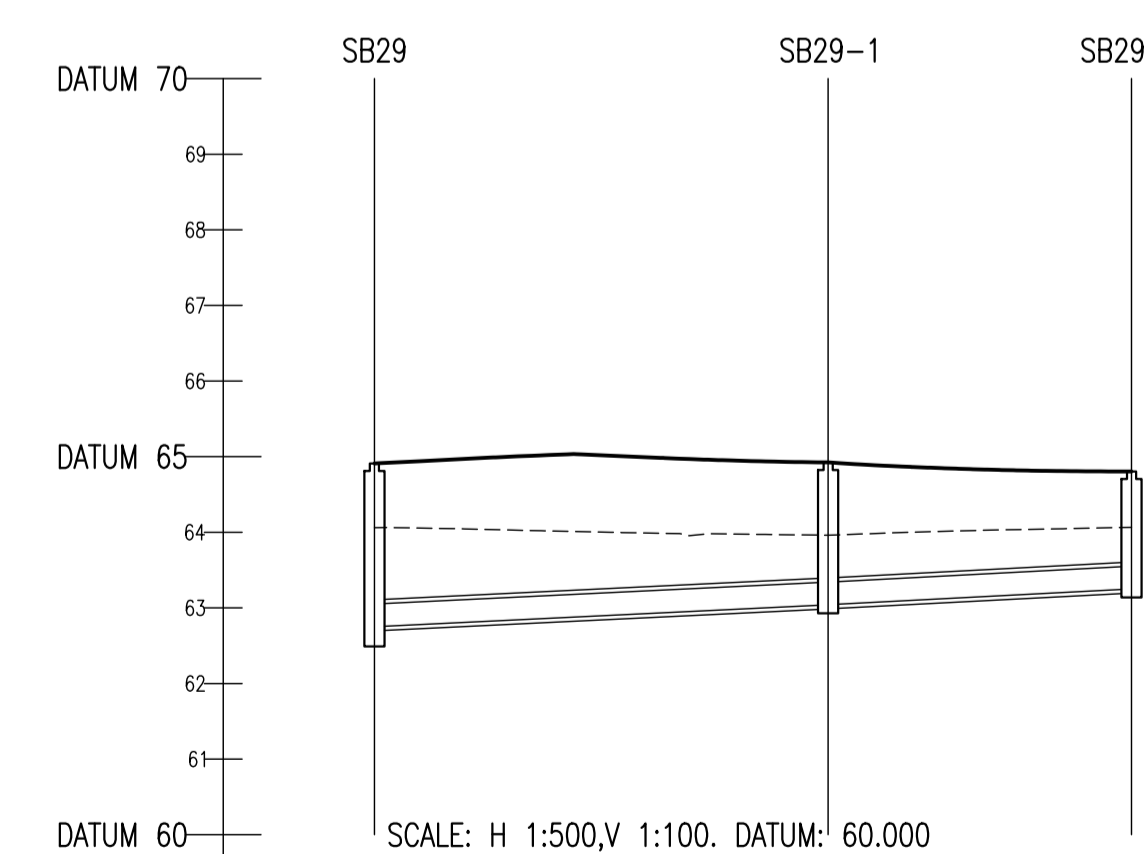
COVER LEVEL	64.789	64.764	64.988	65.047	64.950	64.894	65.019											
INVERT LEVEL	62.346	4.005	62.696	62.696	4.004	62.880	62.880	62.880	62.880	62.880	62.880	62.880	62.880	62.880	62.880	62.880	62.880	62.880
DEPTH (m)	2.535		2.030	2.030		2.070	2.070	2.070	2.070	2.070	2.070	2.070	2.070	2.070	2.070	2.070	2.070	2.070
DISTANCE (m)		10.41			31.11		6.85	4.70	7.12		1.787	1.787	1.787	1.787	1.787	1.787	1.787	1.787
PIPE SLOPE		1:30			1:169		1:236	1:109	1:169		1:56							
PIPE SIZE		375mm			375mm		375mm	300mm	300mm		300mm							



COVER LEVEL	64.894	64.894	64.738				
INVERT LEVEL	63.138	63.138	63.176	63.176	5.000	63.276	63.276
DEPTH (m)	1.787	1.787	1.425	1.425			
DISTANCE (m)			23.35				
PIPE SLOPE			1:170				
PIPE SIZE			300mm				



COVER LEVEL	65.196	64.906		
INVERT LEVEL	62.994	2.000	63.444	63.444
DEPTH (m)	2.314		1.425	1.425
DISTANCE (m)		30.63		
PIPE SLOPE		1:68		
PIPE SIZE		300mm		



COVER LEVEL	64.910	64.924	64.825				
INVERT LEVEL	62.750	3.001	63.041	63.041	3.000	63.261	63.261
DEPTH (m)	2.289		1.845	1.845		1.517	1.517
DISTANCE (m)		30.01			20.07		
PIPE SLOPE		1:103			1:96		
PIPE SIZE		300mm			300mm		

PT	17/12/19	PLANNING ISSUE	PJC	BCM
REV	DATE	DESCRIPTION	BY	CHKD
<b>STAGE 2 - PLANNING</b>				
DESIGNED	BCM	PREPARED	PJC	
DATE	OCT 2019	CHECKED	DJR	

**DBFL** Dublin Office: Ormrod House, Upper Ormrod Quay, Dublin 7, Ireland. PHONE +353 1 400 4000 FAX +353 1 400 4050  
 Waterford Office: Unit 2, The Chandlery, 1-2 O'Connell Street, Waterford, Ireland. PHONE +353 51 338 550 FAX +353 51 844 913  
 DBFL Consulting Engineers email: info@dbfl.ie site: www.dbfl.ie

PROJECT  
**NEWTOWNMOYAGHY SHD**

DRG. TITLE  
**LONGITUDINAL SECTIONS THROUGH SURFACE WATER SHEET 6 OF 6**

CLIENT  
**MCGARRELL REILLY**

SCALE H 1:500, V 1:100 @A1 FILE REF. 190009-DBFL-XX-XX-DR-C-3021  
 DRG. NO. 190009-DBFL-XX-XX-DR-C-3026 **P1**